



ADJUSTABLE LEG AND PLATE



ADJUSTABLE LEG AND CASTOR



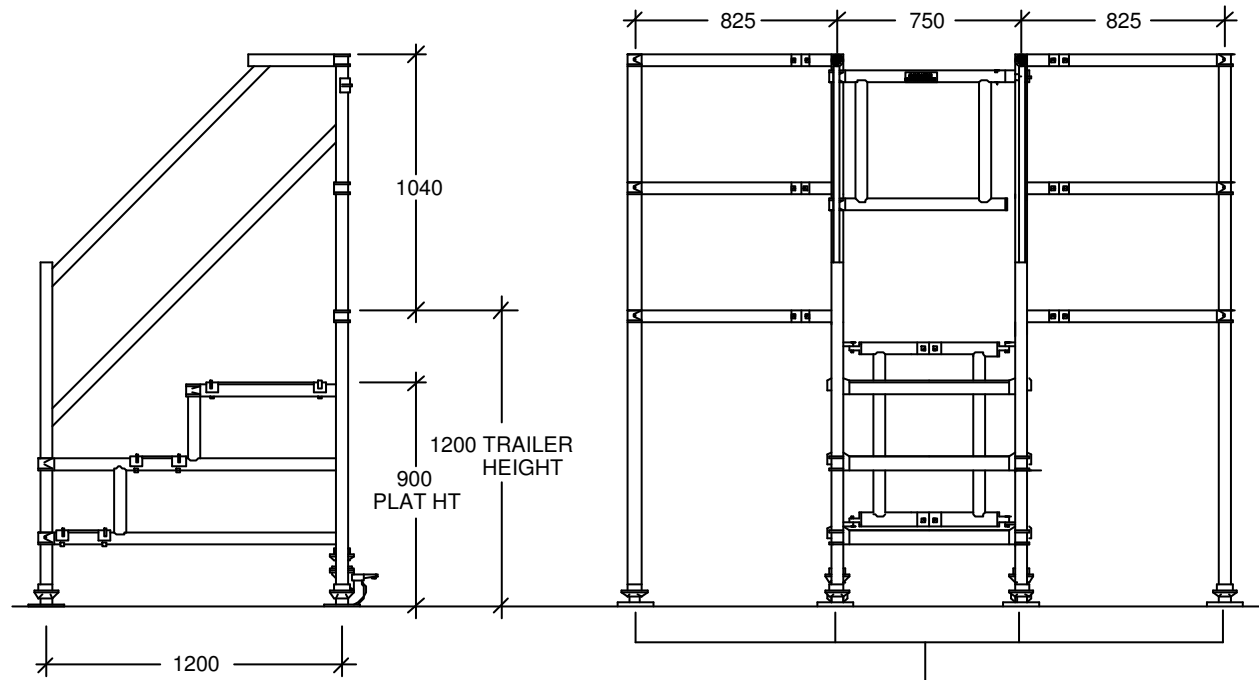
STEPS UP TO TRAILER



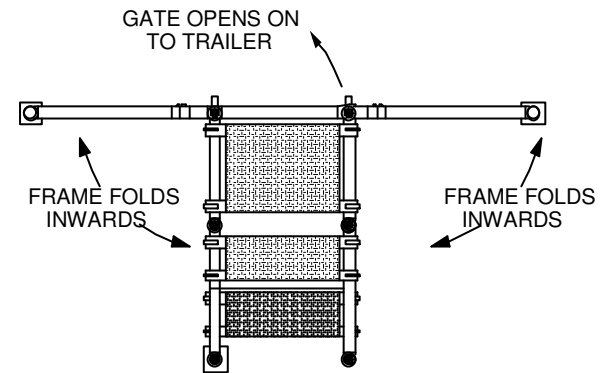
FOLDING BACK FRAME



FOLDING SIDE FRAMES



ADJUSTABLE LEGS AND BASE PLATES



## LORRYPOD FEATURES AND BASIC DIMENSIONS

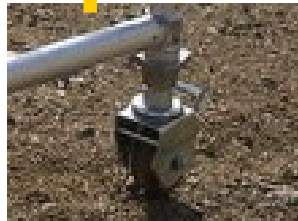
SIDE FOLDING FRAME



BACK FOLDING FRAME



LEG AND BASEPLATE



LEG AND CASTOR



STEPS AND PLATFORM

# LORRYPOD



## ASSEMBLY GUIDE AND NOTES

1. Open centre frame until mechanism locks automatically.
2. Fit steps and platform.
3. Position at access point on the lorry.
4. Open side frames until mechanisms lock.
5. Level unit using adjustable legs, and lock castors.
6. Tie unit securely to lorry.
7. Access via steps, and lock gate after accessing.
8. Always keep gate locked when working on lorry.
9. To disassemble reverse procedure.

Dimensions :-  
 Working Height— 1200 Trailer height  
 Dimensions — Folded Height -2.25M x Width - 0.65M x Depth - 1.3M  
 Weight— 47g Safe Working Load - 150kg)  
 Manufactured under an ISO9001:2008 Quality System  
 Complies fully with the Working at Height Regulations 2005  
 Lightweight all Aluminium Construction